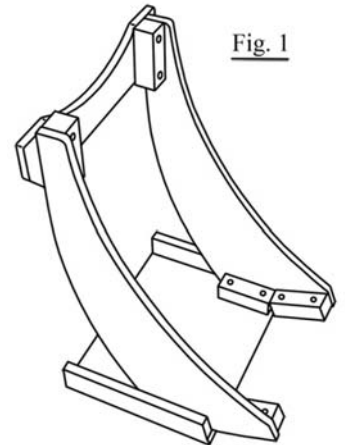




Wood Bedside Ramp Care & Use Guide

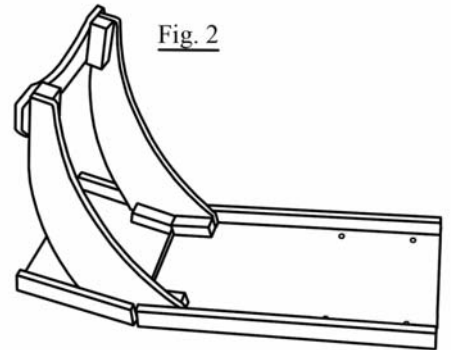
Thank you for purchasing the Solvit Wood Bedside Ramp. The package should contain: two 31-inch platforms with carpet; one 12-inch platform with carpet; two curved back legs; one back leg brace; two straight support braces; one polybag, including twenty screws, twenty washers, four cap nuts, a hex wrench and open wrench.

To assemble, prepare a clean, flat area approximately 7 ft long. Lay the 12-inch platform carpet-side down and locate the two pairs of threaded inserts on the underside. Position one curved leg so the smooth side of the leg faces “out”, one of the lower mounting blocks overhangs the edge of the platform, and the holes in the other lower mounting block align with the threaded inserts (see Fig. 1). Insert two screws with washers and tighten with provided hex wrench. Repeat for second leg.

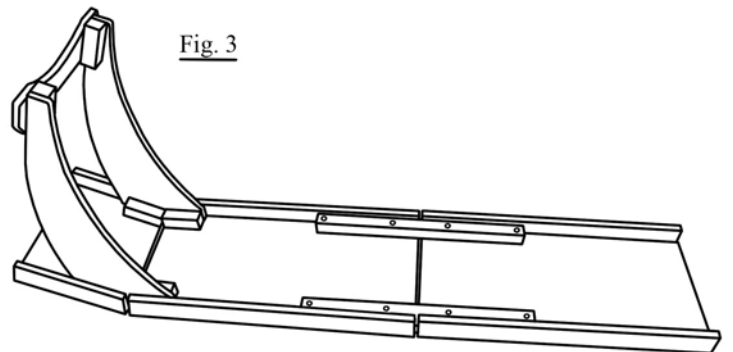


Position the back leg brace so the curved side faces up and the four holes align with the holes in the upper mounting blocks. Insert four screws (without washers) through the blocks then through the leg brace and fasten with four each cap nuts and washers.

Find the 31-inch platform with 8 threaded inserts on the underside. Position this platform so the two pairs of inserts spaced 3 inches apart are under the overhanging lower mounting blocks of the back legs. Rotate the back legs slightly to align the holes in the mounting blocks with the threaded inserts in the 31-inch section. Insert four screws and washers and tighten. The assembly should now appear as in Fig. 2.



Position the remaining 31-inch platform so the four threaded inserts are closest to the already-assembled parts. Place one of the straight support braces over the two 31-inch platforms so the four holes in the brace align with the threaded inserts in each platform. Insert four screws and washers and tighten. Repeat with remaining brace so the ramp appears as in Fig. 3. Assembly is now complete and the Bedside Ramp can be placed in position for use.



Cleaning: The wood sections can be cleaned with a damp cloth or furniture cleaner. Carpet sections can be treated with household carpet cleaner.

Limited Lifetime Warranty: The Bedside Ramp is warranted to be free from defects in materials or workmanship for the life of the product. Some restrictions apply, so please visit our website for more details. A copy of the original sales receipt is required for warranty issues.

SOLVIT Products is dedicated to offering innovative solutions to improve pets' mobility. Please feel free to contact us with any questions, comments, or warranty issues. Thank you for your purchase!