

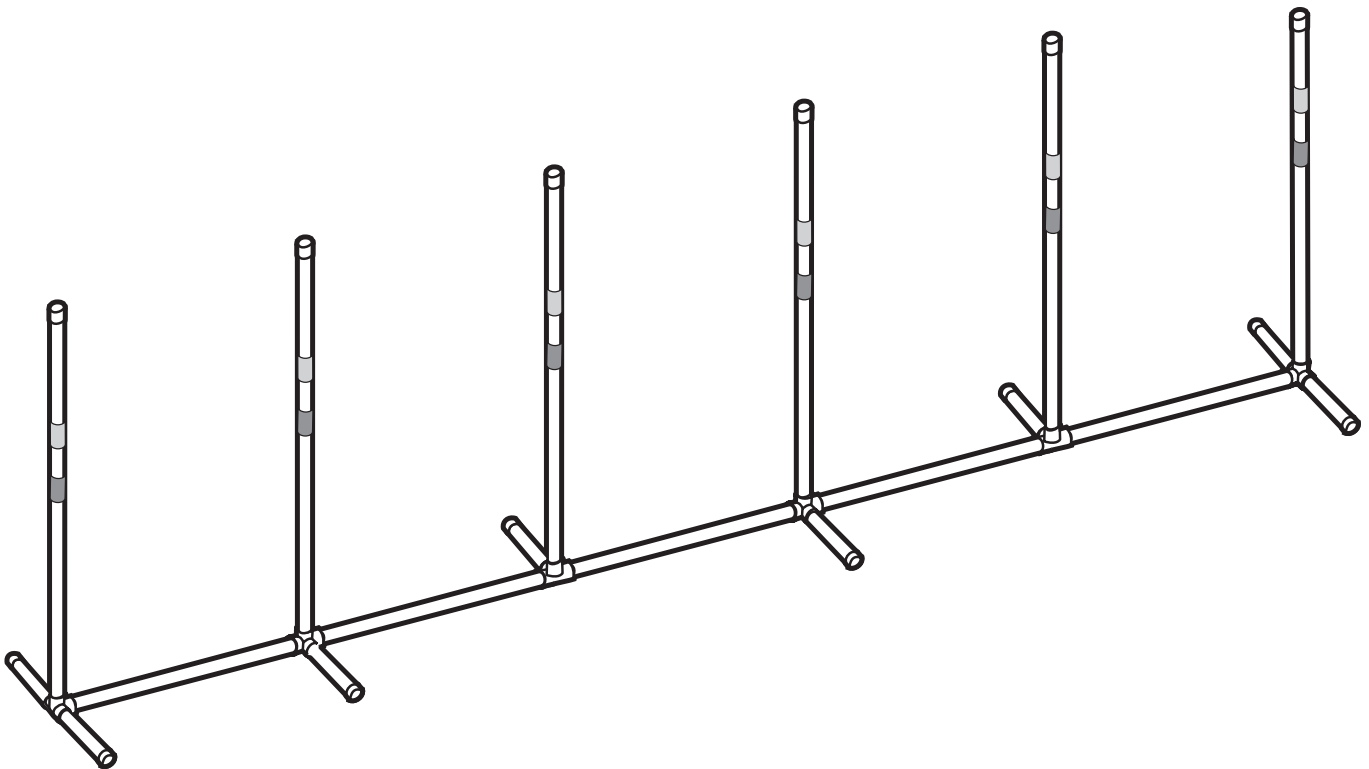
PetSafe®

Weave Poles

Backyard Agility Playset

Assembly and Training Guide

Please read this entire guide before beginning.



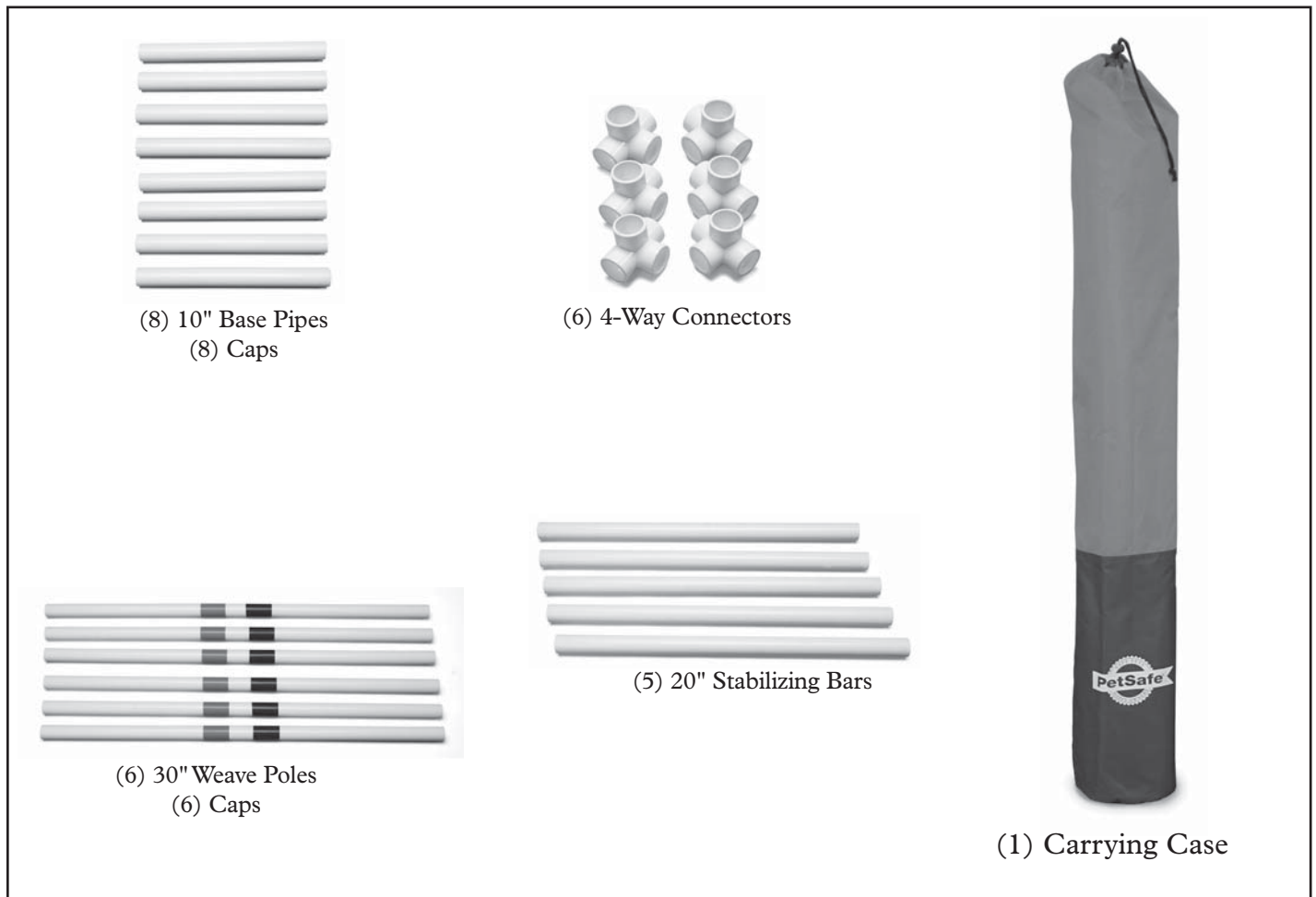
Thank you for choosing PetSafe®. Our mission is to be the most trusted brand in the pet ownership experience. We want to ensure your pet's happiness and safety by providing you with the tools and techniques to care for and train your pet successfully. If you have any questions, please contact the Customer Care Center at 1-800-732-7677, or visit our website at www.petsafe.net.

To get the most protection out of your limited warranty, please register your product within 90 days at www.petsafe.net. By registering, you will enjoy the product's full warranty and should you ever need to call the Customer Care Center, we will be able to help you faster. Additionally, you will not have to save your product receipt as registering serves as proof of purchase. Most importantly, PetSafe will never give or sell your valuable information to anyone.

You and your dog will have hours of fun with your new Weave Poles Backyard Agility Playset. This playset consists of 6 poles, through which your dog weaves.

Please take a moment to read the following Set-Up Instructions, Training Guide, and review the Safety Requirements before use.

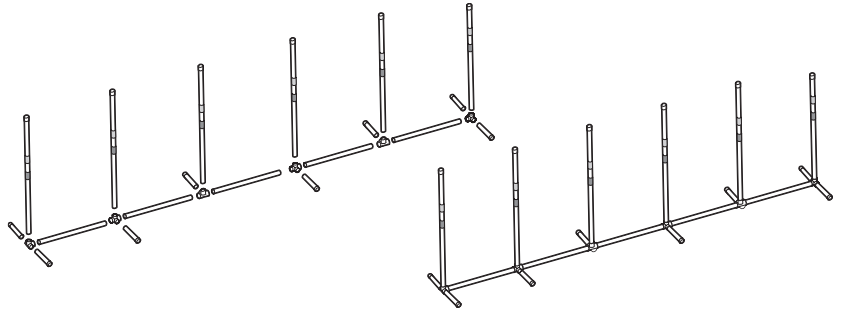
Components



Set-Up Instructions

Setting up the Weave Poles Backyard Agility Playset is quick and easy.

1. Remove all the components from the carrying case.
2. Insert two 10" base pipes into one of the 4-way connectors as shown.
3. Insert a 20" stabilizing bar into the side of the assembled unit.
4. Attach a 4-way connector to the open end of the 20" stabilizing bar, orienting the connector.
5. Insert a 10" base pipe into one side of the 4-way connector.
6. Insert a 20" stabilizing bar into the other side of the 4-way connector to extend the weave.
7. Repeat steps 5 through 7 three more times, alternating the orientation of each 4-way connector and 10" base pipe.
8. Attach a 4-way connector to the open end of the last 20" stabilizing bar.
9. Insert two 10" base pipes into the 4-way connector as shown.
10. Place 30" weave poles into the top holes of all the 4-way connectors.



Note: Equipment should be stored in the carrying case when not in use.

Training Guide

Helpful Hints:

- Agility training should be fun for you and your dog! If a training session becomes tiresome or stressful for you or your dog, discontinue the session and try again another day.
- Provide enthusiastic verbal encouragement for your dog. Use positive verbal commands, avoiding the word “no.” Common training commands that are used with the weave poles are *weave* and *poles*.
- Avoid letting your dog become discouraged. If he makes the same mistake twice in a row, go back to a previously mastered step, or concentrate on providing better guidance for your dog. If your dog continues to make mistakes, discontinue the training session for the day. It is important that agility training is fun for your dog.
- Praise your dog every time he successfully completes the desired training step.
- Repetition and consistency are the keys to successful training.

Weave Poles Training:

1. With your dog on a leash, let him familiarize himself with the components of the weave poles by approaching and sniffing all the pieces.
2. Once your dog appears comfortable, walk a few paces away from the weave poles and then turn around. Position yourself at your dog's right side. Slowly walk your dog toward the weave poles. Have your dog enter at the right side of the first pole. It is crucial that your dog learn to enter the weave poles correctly (at the right side of the first pole). Praise and treat your dog when he completes this step correctly. Be patient and spend a lot of time reinforcing the right-side entry. *Note: Using the snap on Weave Pole Guides during training is a great way to direct your dog through the Weave Poles (PetSafe® Weave Pole Guides are sold separately).*
3. Once your dog has mastered the right-side entry, lead your dog through the remaining poles. Direct your dog with the leash, and with the side of your leg. Praise and treat your dog when he weaves through all the poles correctly. Continue training in this manner (with the leash) until you are sure your dog understands the objective. Do not reward your dog if he does not complete the weave poles successfully; instead direct him back to the start of the weave poles.
4. When your dog has mastered the weave poles on the leash, remove the leash from his collar and run along the side of the weave poles with him as if you still had him on the leash. Praise and treat your dog when he completes the weave poles correctly. Repeat this step several times to reinforce it. Once your dog has mastered this step, he will be ready to run through the weave poles himself, with only verbal direction from you.

Safety Requirements

⚠WARNING:

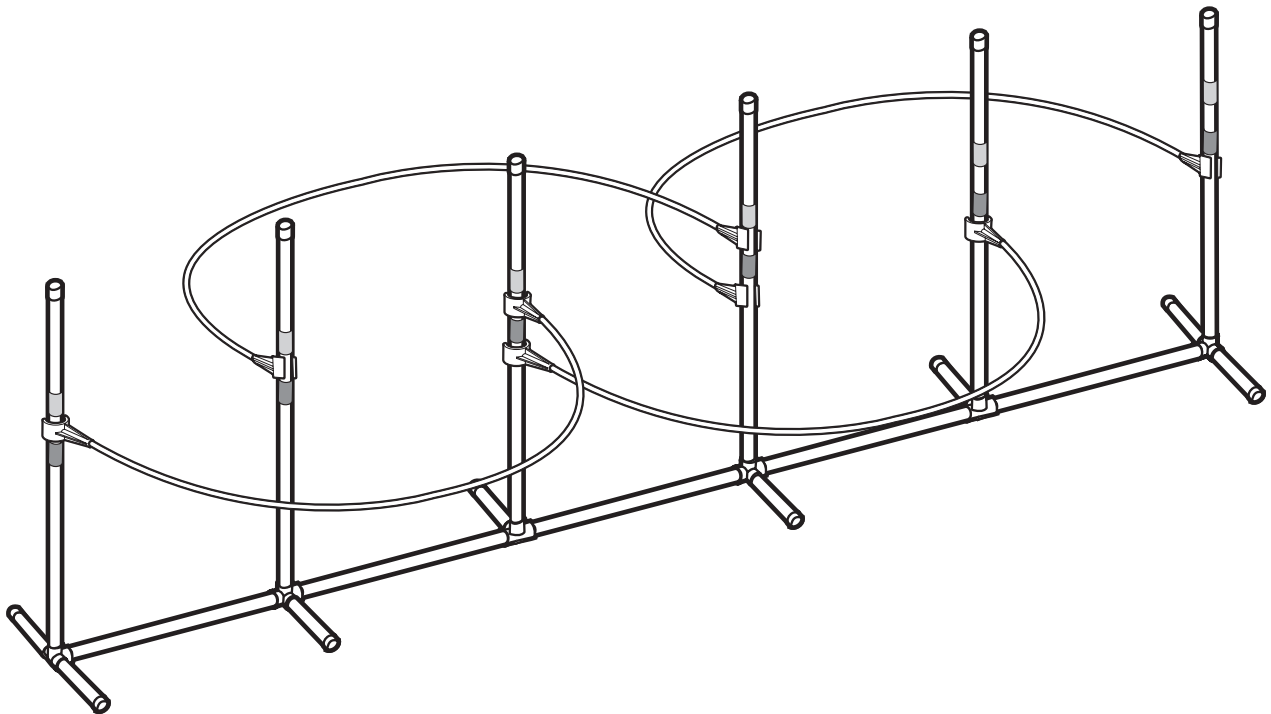
Observing the following statements and warnings reduce the likelihood of serious or fatal injury.

1. This equipment is not a toy and not intended for use by children.
2. To be assembled by an adult only.
3. Inspect this product before each use (see inspection instructions).
4. Discontinue using the equipment if not found to be in good condition.
5. Do not use this equipment in a manner other than intended.
6. Equipment should be stored in the carrying case when not in use.
7. Keep these instructions for future reference.

Inspection Instructions

Note: For the safety of all concerned, inspect this product after assembly and before each use to make sure it is in proper working order by examining the following:

- Parts should not be bent, split, cracked, or otherwise damaged and have caps installed on open ends.
- Check the carrying case to ensure the drawstring and barrel lock are present.
- Make sure the product is assembled per the instructions provided.



Radio Systems Corporation
10427 Electric Avenue
Knoxville, TN 37932
1-800-732-2677
www.petsafe.net

©Copyright 2007, Radio Systems Corporation
400-862